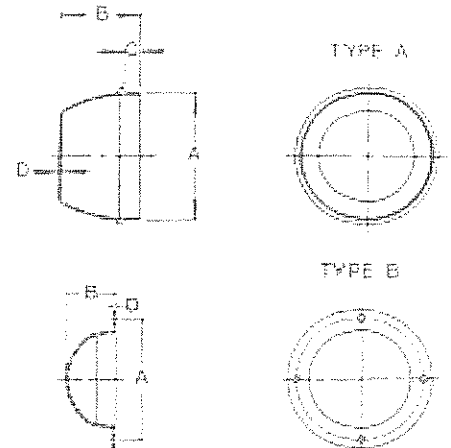




## HUB ACCESSORIES

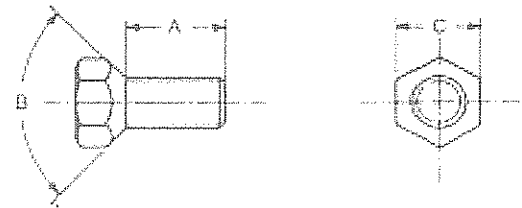
### DUST CAPS

CAP NO.	TYPE	A	B	C	D
DC10	A	1.790	1.00	.25	.039
DC11	A	1.980	1.18	.25	.039
DC12	A	1.940	1.30	.25	.039
DC13	A	2.445	1.41	.37	.039
DC15	A	2.721	1.45	.37	.047
DC17	A	3.160	1.68	.37	.078
DC24	A	1.956	.96	.34	.039
DC26	A	3.120	1.68	.37	.078
DC27	B	5.00	2.00	-	.125
DC28	B	5.50	2.62	-	.125

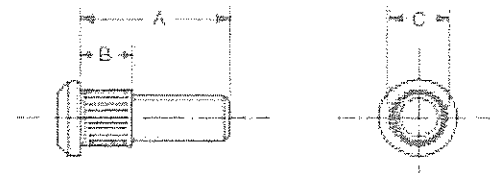


### WHEEL BOLTS

BOLT	THREADS	A	B	C
WB10	1/2 - 20 UNF	1 1/4	90°	3/4
WB12	9/16 - 18 UNF	1 1/4	90°	7/8
WB17	9/16 - 18 UNF	1 3/4	90°	7/8
WB54	1/2 - 20 UNF	7/8	60°	3/4
WB55	1/2 - 20 UNF	1	90°	3/4

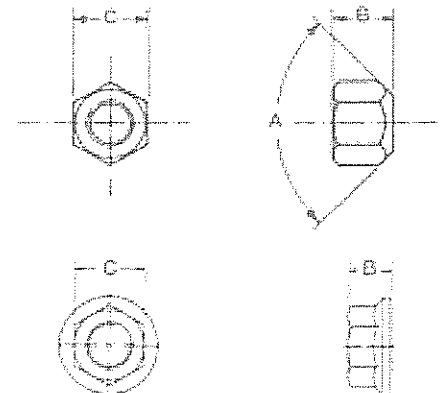


STUD BOLT	THREADS	A	B	C
WB13	1/2 - 20 UNF	1 5/8	9/16	5/8
WB16	1/2 - 20 UNF	1 7/8	9/16	5/8
WB41	9/16 - 18 UNF	2 1/4	5/8	5/8
WB46	5/8 - 18 UNF	2 1/2	9/16	11/16
WB51	3/4 - 16 UNF	2 5/8	3/4	1



### WHEEL STUD NUTS

NUT	THREADS	A	B	C
WB11	1/2 - 20 UNF	90°	5/8	13/16
WB18	5/8 - 18 UNF	90°	23/32	15/16
WB40	9/16 - 18 UNF	90°	11/16	1
WB52	3/4 - 16 UNF	Flange Nut	5/8	1 1/8
WB58	3/4 - 16 UNF	Budd Nut	7/8	1 1/2



## CANADIAN TOOL & DIE LTD.

1331 Chevner Blvd., Winnipeg, Manitoba, Canada R3T 1Y4  
Tel 204/453-6833 Fax 204/453-3803 e mail CONTOOL1@resonet.com

